



Innovative Technology

POWERING TRANSACTIONS AND INTERACTIONS

Safe Interface

*“Advanced note validator
for SMART Safes”*



Safe Interface with
Bunch Note Feeder
and 2200 Cashbox

Features...

Spectral
NV200

FEATURES

- Utilises the NV200 Spectral
- Designed for smart safe/deposit applications
- Two size options - 27mm or 80mm
- Independent service from CIT
- Easy maintenance
- Various cashbox options (500, 1000, 2200)
- Option to add a 100 Bunch Note Feeder
- No special software required
- Increase security while validator head is still accessible
- Reduce cash shrinkage

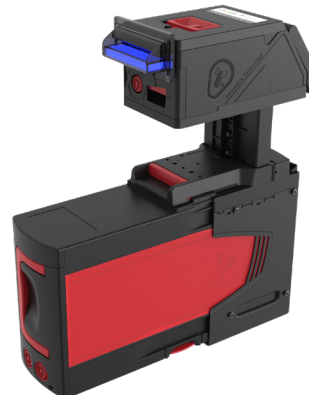
HARDWARE OPTIONS



Safe Interface with
500 note cashbox



Safe Interface with
1000 note cashbox



Safe Interface with
2200 note cashbox



Safe Interface with
Freefall

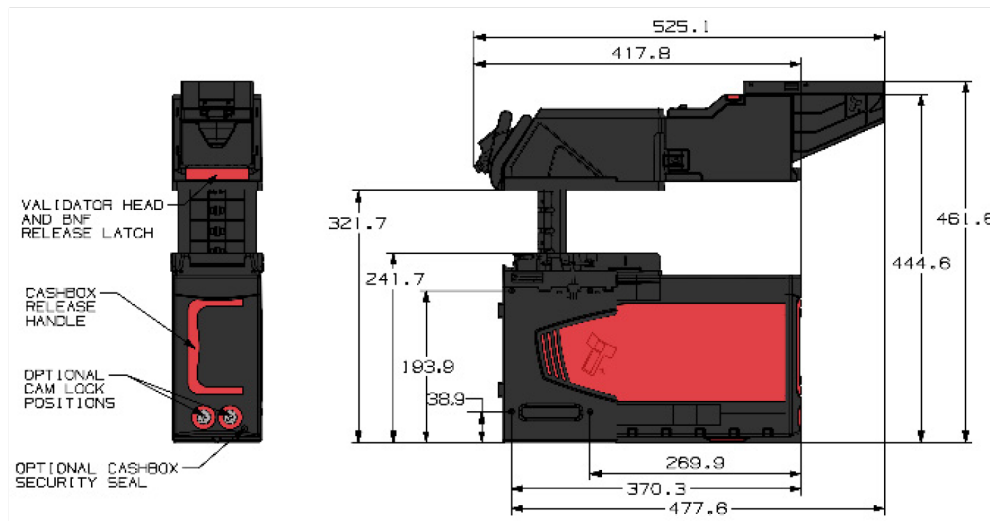


Innovative Technology

POWERING TRANSACTIONS AND INTERACTIONS

Cashbox Options

| | 80mm | 27mm | 80mm | 27mm | 80mm | 27mm | 80mm | 27mm | 80mm | 27mm |
|-----------|--------|--------|--------|--------|--------|--------|--------|--------|--------|--------|
| | SI-001 | SI-002 | SI-101 | SI-102 | SI-201 | SI-202 | SI-301 | SI-302 | SI-501 | SI-502 |
| BNF | ● | ● | | | | | | | | |
| 500 Note | | | ● | ● | | | | | | |
| 1000 Note | | | | | ● | ● | | | | |
| 2200 Note | | | | | | | ● | ● | | |
| Freefall | | | | | | | | | ● | ● |



- Weight: 6.5kg